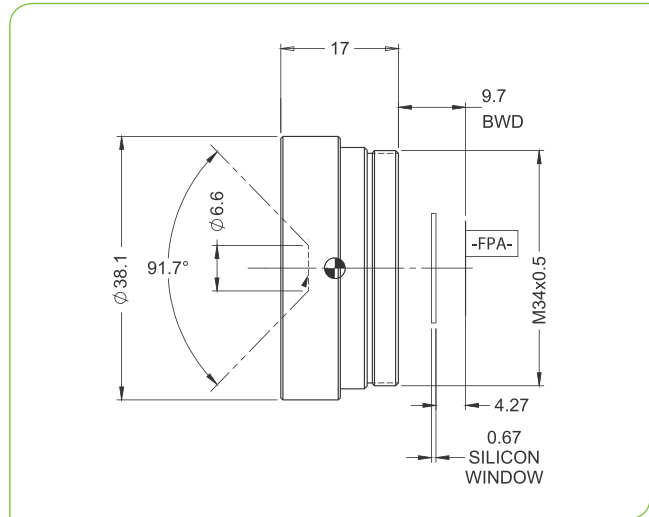


# SupIR 9.0mm f/1.4, Fixed Athermalized 680258

TYPICAL ICD\*



**HD  
FORMAT**



| HFOV | 320x240 | 384x288 | 640x480 | 1024x768 |
|------|---------|---------|---------|----------|
| 17μ  | 34.6°   | 41.7°   | 71.2°   |          |
| 12μ  | 24.3°   | 29.2°   | 49.3°   | 81.5°    |

| Property                      | Value                    |                   |              |               |                |
|-------------------------------|--------------------------|-------------------|--------------|---------------|----------------|
| <b>Optical</b>                |                          |                   |              |               |                |
| Focal Length                  | 9mm                      |                   |              |               |                |
| F#                            | 1.4                      |                   |              |               |                |
| Average transmission (8-12μm) | 94% (HD) / 92% (HC)      |                   |              |               |                |
| Back Focal Length             | 12.37mm in air           |                   |              |               |                |
| <b>Mechanical</b>             |                          |                   |              |               |                |
| Focus Mechanism               | Fixed                    |                   |              |               |                |
| Depth of Field                | 5m to infinity           |                   |              |               |                |
| Focus Range                   | 0.5m to infinity         |                   |              |               |                |
| Weight                        | 35gr                     |                   |              |               |                |
| Max. Dimensions               | Ø38.1mm x 17mm           |                   |              |               |                |
| <b>Environmental</b>          |                          |                   |              |               |                |
| Operation Temperature         | -40°C to +80°C           |                   |              |               |                |
| Storage Temperature           | -50°C to +85°C           |                   |              |               |                |
| Sealing                       | IP 67 front element only |                   |              |               |                |
| <b>Configurations</b>         | <b>Weight (gr)</b>       | <b>Dimensions</b> | <b>BWD**</b> | <b>Thread</b> | <b>Coating</b> |
| 680258-003                    | 35                       | Ø38.1mm x 17mm    | 9.7          | M34x0.5       | HD             |
| 680258-004                    |                          |                   |              |               | HC             |

\* The ICD drawing provided here is primarily a representation and may not accurately reflect the product's actual dimensions and specifications. For precise integration specifications contact your local sales representative.

\*\* The BWD value is calculated for a unique detector setup with varying sealing windows in terms of thickness and material. For more details, contact your local sales representative.